



NTSC U/C

# PlayStation™

**MATURE**



AGES 17+  
CONTENT RATED BY  
**ESRB**

SLUS-00348



BEYOND  
HERETIC™



Distributed by  
**GT Interactive Software**  
16 EAST 40TH ST., NEW YORK, NY 10016

**WARNING: READ BEFORE USING YOUR PLAYSTATION GAME CONSOLE.**

A very small percentage of individuals may experience epileptic seizures when exposed to certain light patterns or flashing lights. Exposure to certain patterns or backgrounds on a television screen or while playing video games, including games played on the PlayStation game console, may induce an epileptic seizure in these individuals. Certain conditions may induce previously undetected epileptic symptoms even in persons who have no history of prior seizures or epilepsy. If you, or anyone in your family, has an epileptic condition, consult your physician prior to playing. If you experience any of the following symptoms while playing a video game – dizziness, altered vision, eye or muscle twitches, loss of awareness, disorientation, any involuntary movement, or convulsions – IMMEDIATELY discontinue use and consult your physician before resuming play.

**WARNING TO OWNERS OF PROJECTION TELEVISIONS:**

Still pictures or images may cause permanent picture-tube damage or mark the phosphor of the CRT, avoid repeated or extended use of video games on large-screen projection televisions. Refer to your projection TV instruction manual for more details.

**HANDLING YOUR PLAYSTATION DISC:**

- This compact disc is intended for use only with the PlayStation game console.
- Do not bend it, crush it or submerge it in liquids
- Do not leave it in direct sunlight or near a radiator or other source of heat.
- Be sure to take an occasional rest break during extended play.
- Keep this compact disc clean. Always hold the disc by the edges and keep it in its protective case when not in use. Clean the disc with a lint-free, soft, dry cloth, wiping in straight lines from center to outer edge. Never use solvents or abrasive cleaners.

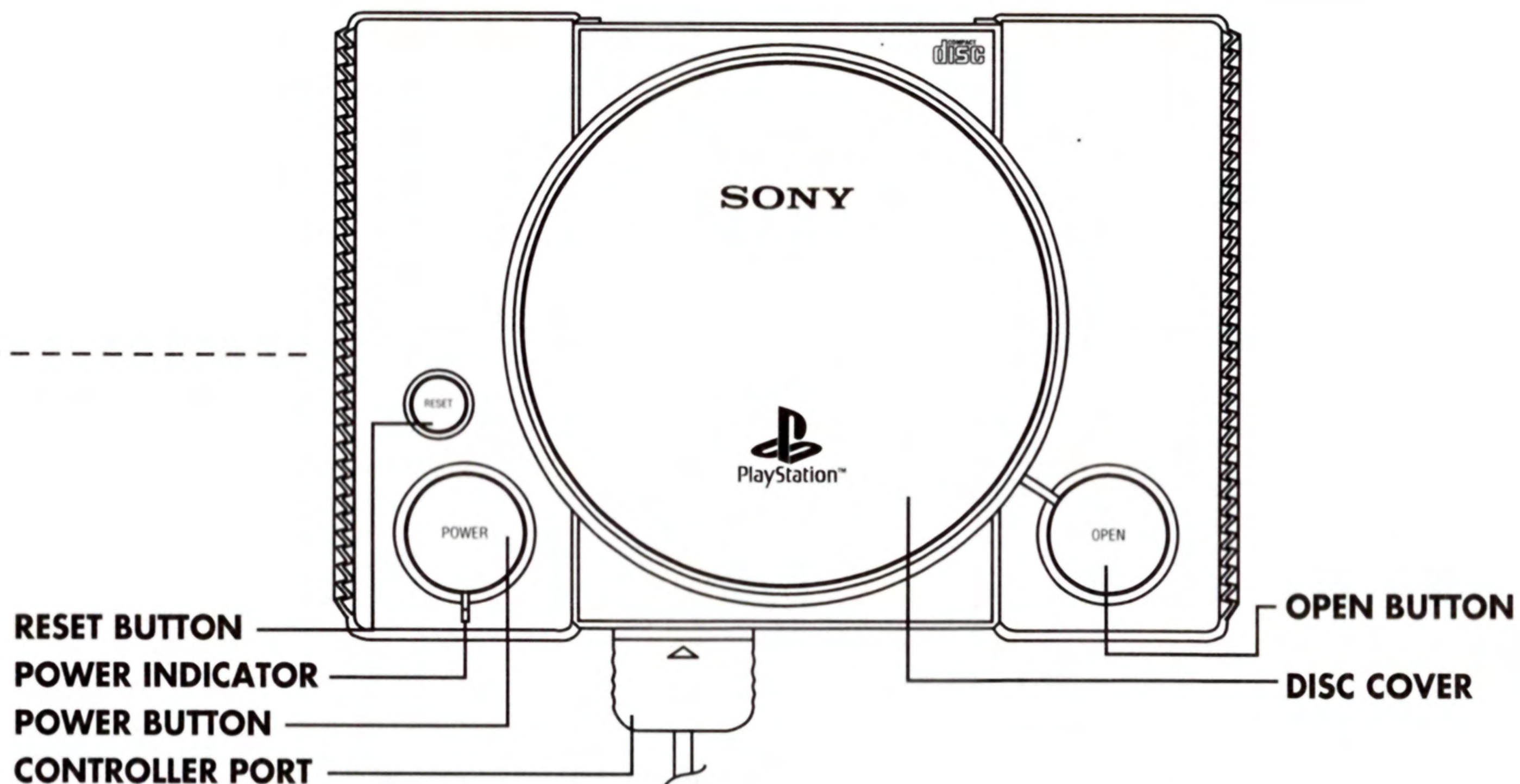
# Table of Contents

1. Set Up .....	2
2. Game Controls .....	3
3. The Story so Far .....	4
4. The Object of Hexen .....	6
5. Main Menu & Game Options .....	8
6. Your Status .....	10
7. Movement and Game Environment .....	11
8. Weapons .....	14
Fighter .....	14
Cleric .....	15
Mage .....	16
9. Items & Artifacts .....	17
10. The Bestiary .....	20

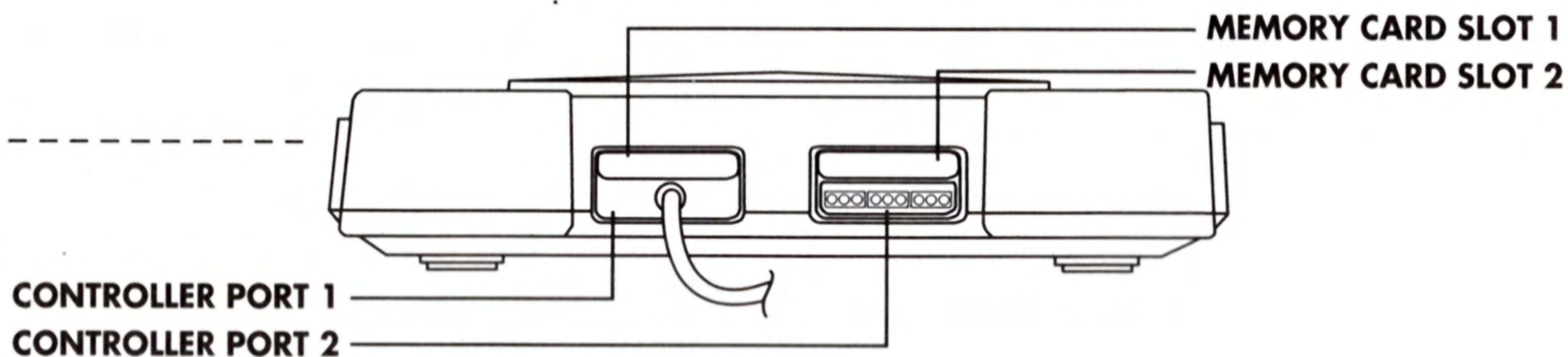
# 1. SETUP

## Console

### Top View



### Front View

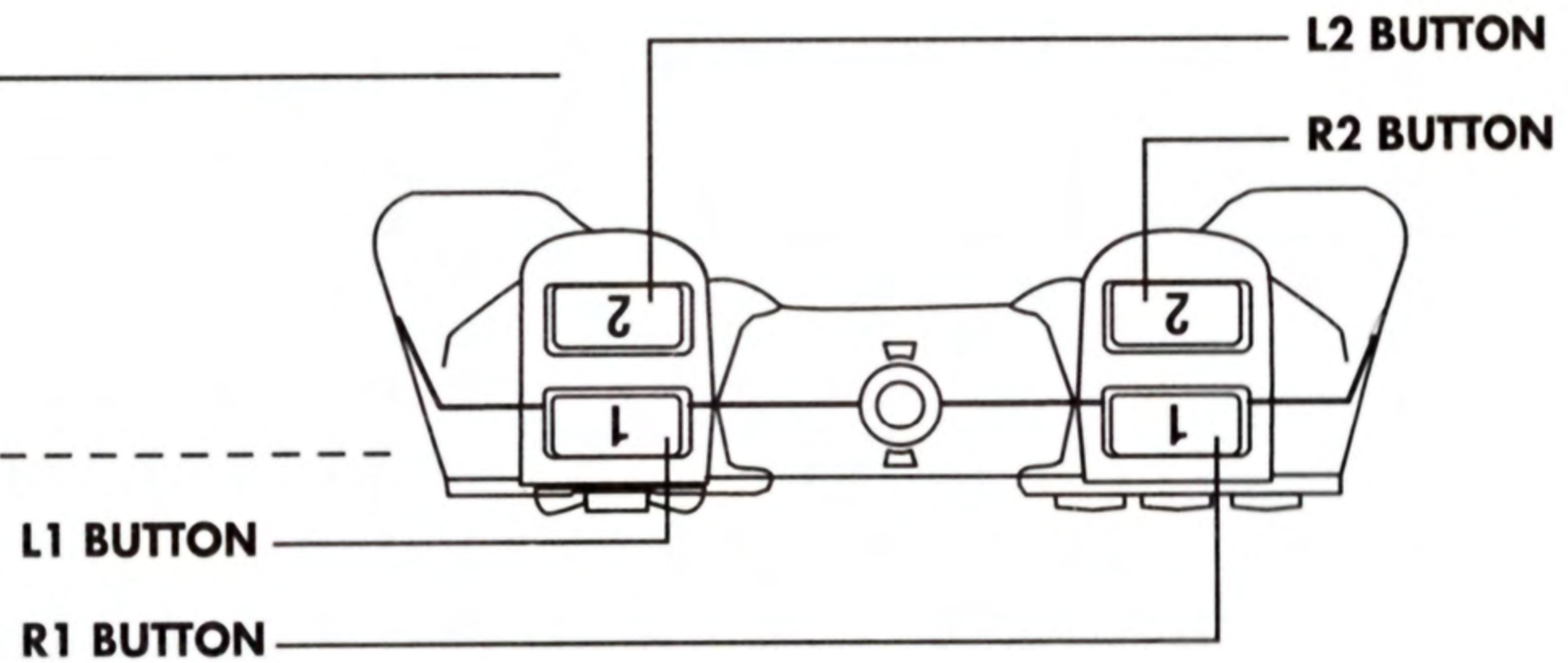


Set up your PlayStation™ game console according to the instructions in its Instruction Manual. Make sure the power is off before inserting or removing a compact disc. Insert the HEXEN disc and close the CD door. Insert game controllers and turn on the PlayStation game console. Follow on-screen instructions to start a game.

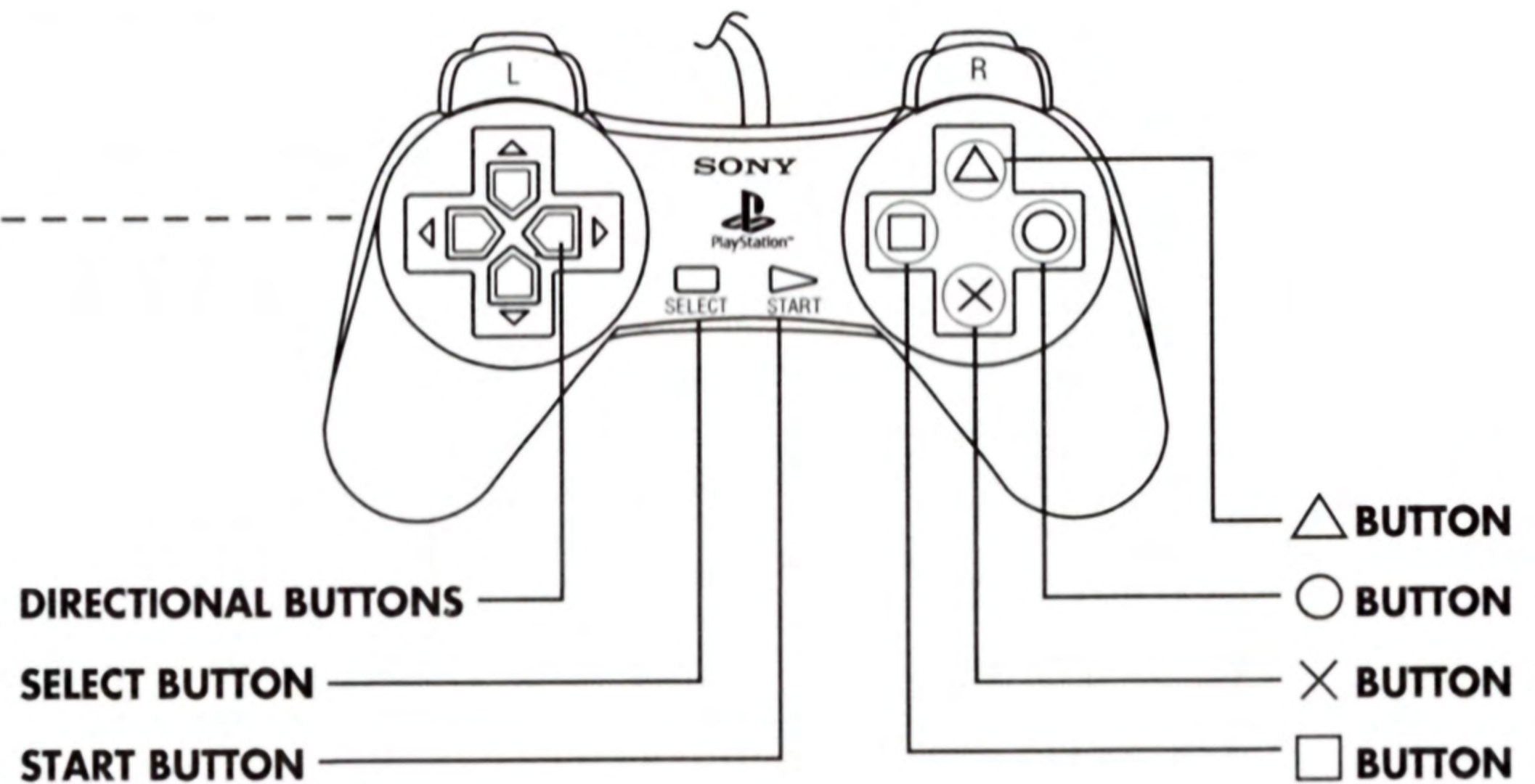
## 2. GAME CONTROLS

### Controller

Front View



Top View



Run	×
Jump	□
Use	Shift + ○
Fire	▲
Open	○
Shift	R2
Strafe Left	L1
Strafe Right	R1
Map Mode	Select
Inventory Select	L2 + D-Pad ◀ ▶

Weapon Select	Shift + ▲
Look Up & Down	Shift + × + D-Pad ▲ ▼
<i>Map Mode:</i>	
Map Scroll	Shift + × + D-Pad ▲ ▼ ◀ ▶
Zoom In	Shift + × + L1
Zoom Out	Shift + × + R1
<i>Flight Mode:</i>	
Up & Down	Shift + □ + D-Pad ▲ ▼

### 3. The Story so Far...

The elders tell of the adventures of a heroic Sidhe elf who challenged the forces of D'Sparil, the weakest of the three dimension-traveling Serpent Riders. His victory was hardly insignificant, but while he battled D'Sparil, the other two Serpent Riders were far from idle. They were hard at work sowing the seeds of destruction in several other dimensions. One such dimension is Cronos, the world of Hexen: a human world, but one where the forces of magic are both stronger and more strictly controlled than those of the Elven world.

The humans have learned from painful experience that while magic can be a powerful tool, it also contains more destructive potential than any other force in their universe. From this harsh realization a disciplined and orderly society has developed, one where every citizen knows his place, and where the vast majority of common men are held in thrall to a few ruthless, powerful leaders. Wielding magical powers and arcane artifacts, these men overshadow every other human force on Cronos, suppressing individual thought and action in the name of the greater good.

Within this strict order, three organizations maintain the fabric of human society: the Legion, the Arcanum, and the Church. In an uneasy balance often threatened by petty squabbles and escalating power struggles, these three organizations share absolute dominion over all humanity. The Legion represents human military strength, using brute force backed by magical weapons to impose a strict and inflexible order upon the populace. The Arcanum is the center of learning for all magical studies, and as such it determines who will or will not have access to its wealth of arcane secrets. The Church acts as a bridge and buffer between the Legion and Arcanum, using a mixture of magic

and military training to maintain the balance of power while secretly furthering its own interests. Together or separately, these three groups control every aspect of human life.

Each organization is led by a single man: Zedek, Marshal of the Legion; Traductus, Grand Patriarch of the Church; and Menelkir, Arch-Mage of the Arcanum. These men are the ultimate embodiment of power on Cronos. Cold, calculating and devoid of concern for anything but the advancement of their own status, these leaders were the first to fall under the sway of Korax, the second of the three Serpent Riders. In return for their allegiance, Zedek, Traductus and Menelkir were rewarded by Korax with the dark gift of Unlife. Using the powers granted them by Korax, as well as the relics already in their possession, all of humanity quickly fell under their spell.

Only three humans escaped the aegis of the leaders' new powers: Baratus, a Warrior of the Legion; Daedolon, a Mage of the Arcanum; and Parias, a Cleric of the Church. Now these three have sworn to destroy the leaders they once followed, and anything else that gets in the way as they execute their task. Entering the mystical portal used by Korax to reach their world, the three become hopelessly separated, forcing each of them to attempt on their own that which they had little hope of doing together: find Korax's stronghold, defeat his legions of grotesque minions, and finally destroy the Serpent Rider himself.

Their task will be a difficult one indeed. It is well known that Korax's special powers stem from his control of the Chaos Sphere, which he uses to warp and corrupt everyone and everything he touches. Though not the mightiest of the Serpent Riders, Korax is far more powerful than D'Sparil was, and his lust for power is matched only by his hatred for all living things not under his control. Can he be vanquished?

Only time will tell.

## 4. The Object of Hexen

Whether you choose to play as Baratus the Warrior, Daedolon the Mage or Parias the Cleric, the ultimate goal of Hexen is the same. You must defeat Korax, the second of the three deadly Serpent Riders. The task is not an easy one, however. Along the way you must destroy hundreds of Korax's vile minions and learn the secrets of his stronghold if you wish to progress to the final confrontation.

**Hub Play:** Korax's fortress is built upon a series of central cores known as Hubs. Each Hub provides access to several sub-levels. In order to progress through the game, you will need to revisit each Hub several times and explore the numerous sub-levels that branch off from it, often recovering important items and bringing them back to the Hub. Only then will you be able to progress to the next Hub and the next challenge.

**Character Classes:** When you start a new game of Hexen, you will have the opportunity to choose your character class: Warrior, Mage or Cleric. Once you have chosen, you may not change your class (although you may start as many new games as you wish and use different characters in all of them, then save them in different save-game slots).

**Strategies For Each Class:** Several things are affected by the character class you choose. For example, each class uses different weapons, and certain artifacts work differently in the hands of different characters. Most importantly, however, each class has its own fighting style and its own unique abilities and limitations, so you'll have to bear those abilities in mind when you fight or try to solve a problem. In general, the characters' abilities are as follows:





**Baratus:** Trained by the Legion, Baratus is a master of the weapons and the mystical artifacts of his order. He is the fastest and strongest of the characters. His excellent speed makes him formidable in combat, and his ability to jump great distances allows him to easily reach areas that are difficult for the other characters to access by normal means. He starts the game with strong armor, and he can build his Armor Class to a higher level than either Daedolon or Parias. He needs the extra protection because his weapons emphasize close-range fighting. This is Baratus' primary weakness: unlike the other characters, he often cannot hang back and dispatch his enemies from a distance. He must charge in to bring the power of his melee weapons to bear.

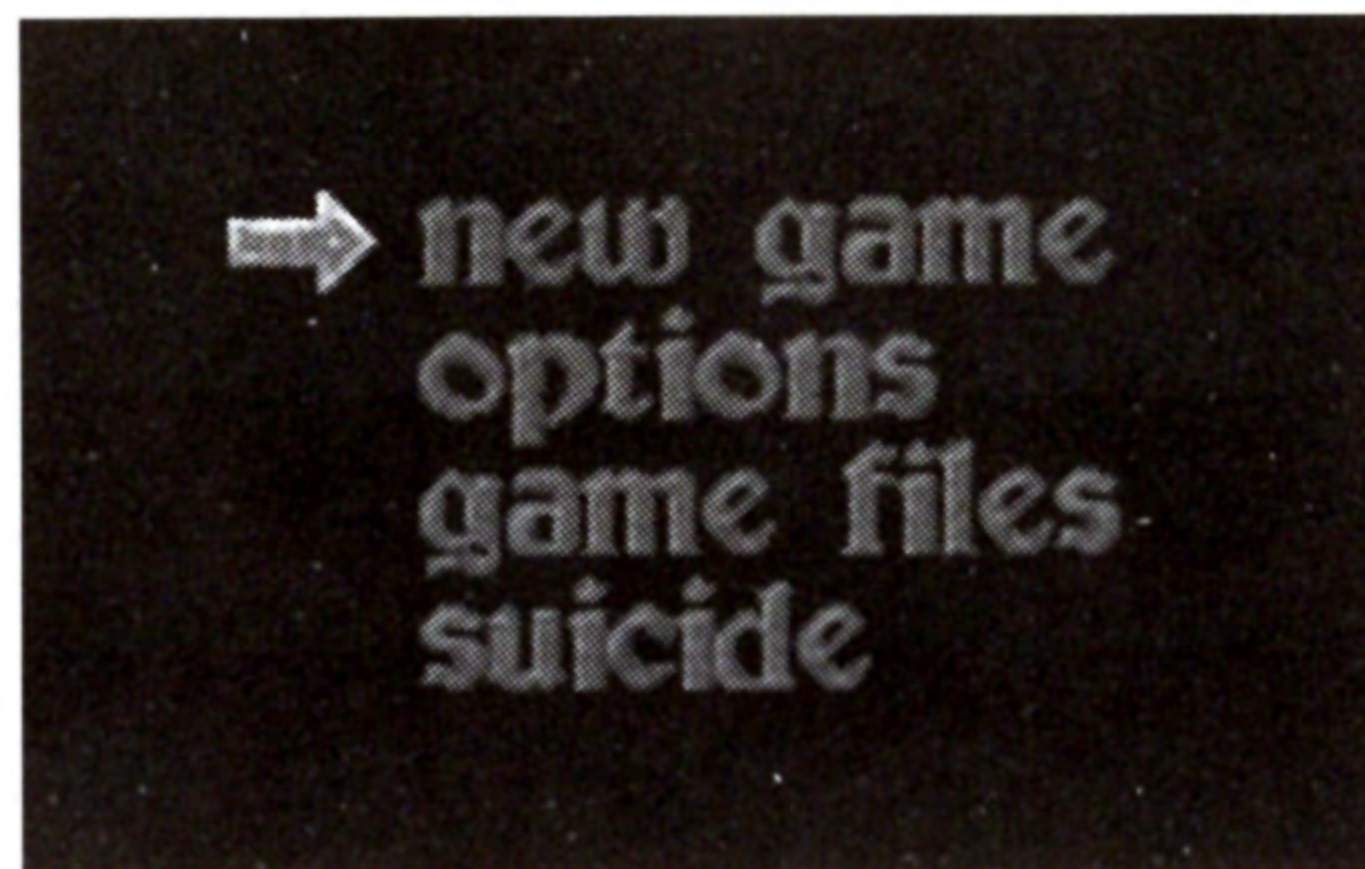


**Daedolon:** Physically weak but strong in spirit, Daedolon weaves the very fabric of reality with his powerful spells. He is an expert at destroying his foes from afar, eliminating creatures with magical attacks before they can get close enough to injure him. However, this useful ability is counterbalanced by his poor speed and strength, and the weakness of his armor. If you choose Daedolon, you must choose your battles carefully, maximizing the effectiveness of your ranged attacks and finding some way to compensate for your lack of speed and jumping power.



**Parias:** Half warrior and half mage, Parias melds the two disciplines into a lethal composite. His skills and abilities lie somewhere between those of Baratus and Daedolon. He is fairly fast and strong, and some of his weapons can kill from a distance. Some might think of Parias as a weak half-caste or a mere jack-of-all-trades, but his mixture of martial and mystical training makes him a formidable opponent indeed.

## 5. Main Menu & Game Options



**Starting Out:** When you start Hexen, you have a choice of starting a new game or going to the Options screen for more choices. Use the D-pad to highlight your choice, and press **X** to activate it. Any time you're in a sub-menu, you can press Start to return to the Title Screen.

**New Game:** To begin a game of Hexen, select New Game. You'll be asked to choose a skill level and a character class. If you're new to the game, it's recommended that you use the default skill level, or perhaps an easier one.

**Options:** The Options screen gives you these additional choices:

**Messages On/Off:** With this option turned on, messages are displayed on the screen as you play. Messages keep you informed of events as they happen, letting you know, for example, that you have picked up a flechette or gained extra health points. You can turn this option off for a "cleaner" look on the screen.

**Pad Config:** Cycle through 21 different control configurations (A-U) using the D-Pad.

The default configuration is A.

**Sound:** Select this option to adjust the sound volume.

- **SFX Volume:** Adjusts the volume of the sound effects.

- **Music Volume:** Adjusts the volume of the music.

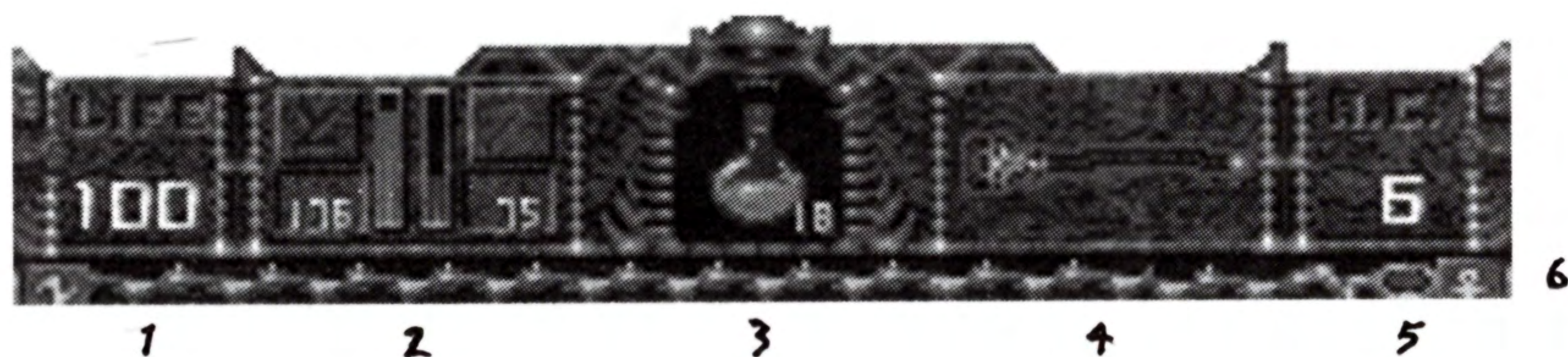
You can press Start at any time during a game to access the Options menu.

**Game Files (usable only if memory card is present):** Displays the following game file options:

- **Load Game:** Loads a previously saved game. To load a game, insert a memory card and press X.

- **Save Game:** Allows you to save a game in progress. To save a game, press Start at any time during the game to display the Main Menu, select Options, select Games Files, and select Save Game. Choose a memory card you don't mind overwriting and press X. Your game will be saved. **Note:** A saved game uses up an entire memory card, so you'll only be able to save one game per card.

## 6. Your Status



The Status Bar at the bottom of the screen displays vital information about your condition. Here's a look at what the status bar tells you.

**1. Life Counter:** The number in this box tells you how healthy you are. Your health is rated as a percentage, so a health of 100 means you're in perfect shape, while a health of 1 indicates that you're nearly dead.

**2. Mana Counters:** This area shows you how much mana you have collected. The number beneath the blue mana symbol on the left tells you how much blue mana you've accumulated, and a vertical blue bar gives you the same information graphically.

The number beneath the green mana symbol on the right shows you how much green mana you've got, while a vertical green bar shows that same information graphically.

If you are currently using a weapon that requires mana to function, then either the blue or green mana icon will be highlighted, depending on which sort of mana that weapon uses.

**3. Ready Item:** This box shows which item from your inventory is currently selected (ready to use).

**4. Weapon Pieces:** Each character can use a special weapon: The runesword known as Quietus belongs to the warrior, the holy symbol called Wraithverge is used by the priest, and the staff named Bloodscourge can be wielded by the mage. These weapons have been broken into pieces, which you must collect. The outline of your character's special weapon (sword, symbol or staff) and any pieces you have collected will appear in this part of the screen.

**5. Armor Class:** The Armor Class box on the far right gives you a numerical indicator of your armor level. An adventurer with no armor whatsoever has an Armor Class of 1, while a character armored like a Colossus would have an Armor Class of 20.

**6. Life Chain:** At the bottom of the screen is a chain. This chain represents your life: a sliding indicator rests on the right of the chain while you're healthy, and slides to the left when you are damaged.

**Using the Inventory:** When you walk over most items, they will be placed in your inventory. Pressing L2 + D-Pad scrolls through your inventory items. When the item you want to use is displayed, press Shift + O to use it.

## 7. Movement and Game Environment

**Picking Up Items:** You pick up an item by walking over it. If you walk over an item but do not pick it up, you probably can't use it right now. For example, if you are at 100% health and you walk over a Vial (which provides +10 health), you won't pick it up.

**Flight:** When you're using Inhilicon's Wings of Wrath, you can fly. Press Shift + □ + D-pad Up to float upward, and Shift + □ + D-pad Down to float down.

**Automap:** Press Select to look at the map. Pressing X + L1 and R1 will zoom in and out. The Automap screen is also where you will see any keys and armor that you have accumulated. All other items are placed in your Inventory.

**Doors:** Most doors in Hexen will open if you walk up to them and press O. Some doors are locked, and you'll need to be holding the proper key to open them. Other doors are opened by switches on nearby walls. And still other doors remain sealed until you perform a special action, like walk into a certain room or kill a specific monster.

**Teleporters:** There are two types of teleporters in Hexen: short-range teleporters and inter-level teleporters. The short-range teleporters move you around but do not transport you to the next level. They can be identified by a symbol on the floor that emits a sparkling flow of energy into the sky. To use a short-range teleporter, you just walk over it. Note that teleporters with a red floor panel will actually teleport you, while the ones with a blue floor panel are merely end-points for other teleporters. They won't move you anywhere: they just mark the place where you'll be dropped off after using a red teleporter.

The other type of teleporter is the inter-level teleporter. This device moves you from one level to the next. These teleporters are always mounted upon walls. They look like a full-length mirror with a swirl of color inside. Just walk up to it and you'll be teleported.

**Platforms:** Often you will encounter platforms that raise and lower. They are activated in a variety of ways. Some raise or lower when you walk up to them and press  $\Delta$ , while others move when you throw a switch or walk across a certain section of floor. Still others are continually in motion.

**Damaging Environments:** While battling your way through Korax's fortress, you'll often encounter environmental threats such as poisonous clouds, lava-covered floors, or ceilings that drop to crush the unwary traveler. Other hazards include dangerous water currents and falling bridges that can throw you to your death. Note that you can be killed if you fall a great distance.

**Completing an Area:** Hexen is structured around several large Hubs. You'll spend a lot of time in each Hub, going back and forth between the many sub-levels that branch off of the main area. You'll know you've finally conquered a Hub when you reach an intermission sequence.


**Dying:** When you die you restart at either the entrance to the level, or at the point where you last saved your game.


## 8. Weapons


Except for the weapon that a character starts out with, every weapon in Hexen uses mana. You can tell which sort of mana a weapon uses because the appropriate mana icon will be highlighted on the Status Bar.

### Fighter Weapons

**Spiked Gauntlets:** The fighter starts the game with these Gauntlets and always has them "at hand" as a last resort. Each punch wears down your enemy's defense and every third punch delivers a Mighty Blow!


 **Timon's Axe:** The Axe makes you want to really jump in there and hack away at your enemies as it deals out much more damage than the Gauntlets. This is also a close-range-only weapon, so be careful not to get carried away!


 **Hammer of Retribution:** Now you can really start dealing some death! The Hammer can be thrown straight out in a skull-splitting attack or you can get up-close and personal for that special bludgeoning that only you can provide.


 **Quietus:** This multi-part runesword is called Quietus because it's the ultimate way to silence your foes. After one slice from this steel companion, most monsters willingly surrender their souls.




## Cleric Weapons

 **Mace of Contrition:** The Mace will only cause contrition in an enemy after numerous beatings. This weapon should only be used as a last resort because of its short range!

 **Serpent Staff:** The essence of the sacred Kalrath serpent is contained within this staff. Feed it with the blue mana and it will serve you faithfully by spitting twin venom spheres at your enemies. Using this staff up close will drain your enemy's life and give some of it to you!

 **Firestorm:** The Firestorm spell lets you summon a gout of fire from the earth. The flames appear at your enemy's feet and roar upward to engulf his entire body, roasting him alive. All things considered, Firestorm is the ultimate barbecue.

 **Wraithverge:** A very powerful multi-part weapon, this staff will summon the forces of the grave to feed upon your enemy's soul, tearing and knashing away at the lifeforce like hungry dogs!

## Mage Weapons



**Sapphire Wand:** Useful for killing enemies, eventually, this wand will fire quick magical blue darts at your target. There is no limit to the amount of charges in this wand and it requires no mana.



**Frost Shards:** This spell lets you shoot frozen shards from your hands. These ice bolts are significantly stronger than the Sapphire Wand's small darts, so use Frost Shards whenever possible to freeze your enemies where they stand.



**Arc of Death:** The Arc of Death spell fires vertical columns of supercharged electrical energy from your hands, blasting your foes with devastating impunity. Once it hits a creature, it will stay near them and continue to do damage before finally disappearing.



**Bloodscourge:** This mighty multi-part staff fires multiple tracking spheres that will seek and destroy anything in their path. Mages who prefer not to aim will appreciate Bloodscourge, the humans' first successful attempt at a fire-and-for-get weapon.

## 9. Items & Artifacts

Items with an asterisk before their name can be picked up and placed into inventory, then used later. Items without the asterisk are used immediately when you walk over them.



\*Torch: Makes it much easier to see in dark areas.



Vial: Instantly gives +10 to your health when you walk over it.



\*Quartz Flask: Gives +25 to your health.



\*Mystic Urn: Gives you full health.



\*Krater of Might: Gives you full mana of both colors.



Mesh Armor: This light armor is most useful to the Fighter and least useful to the Mage.



Falcon Shield: The Falcon Shield helps all characters, but it adds to the Cleric's Armor Class most of all.



Amulet of Warding: This amulet adds to your armor class and varies its benefit depending on your character class. The Mage benefits most, while the Fighter gets the least results.



**Platinum Helm:** The Platinum Helm boosts your armor class an equal amount for all character classes.

Note that all armor is added to your Armor Class the moment you walk over it. The armor then sticks around until it has absorbed a certain amount of damage, then it disappears.



**\*Dragonskin Bracers:** These Bracers give you a temporary (time-based) boost of 4 points to your Armor Class.



**\*Boots of Speed:** These give you a temporary burst of speed, making you reasonably fast if you're the Mage, and insanely quick if you're the Warrior.



**\*Wings of Wrath:** An old favorite, the Wings of Wrath allow you to fly through the air with the greatest of ease. The Wings allow you to fly all you want until you go to a new Hub.



**\*Disc of Repulsion:** When you use this artifact, everything within a certain radius of your body is deflected away. This includes monsters, projectiles and even spells!



**\*Chaos Device:** Teleports you back to the beginning of the level. Useful if things are getting out of hand.



\***Banishment Device:** Teleports your target back to the beginning of the level. Even better than the Chaos Device: why teleport when you can make the bad guys go away instead?



\***Flechette:** This strange item performs differently in the hands of different characters. When the mage throws it, it explodes like a bomb. A fighter who throws the Flechette produces an effect more like a grenade. And a Cleric who uses it produces a poison gas cloud, lethal to any who venture near.



\***Icon of the Defender:** This artifact makes you virtually invulnerable. It produces slightly different effects, however, depending on who uses it. For a fighter it produces a field of invulnerability; for the mage, it creates a zone of reflection that deflects incoming attacks. And the Cleric who uses this artifact appears to blink in and out of existence.



\***The Porkelator:** The Porkelator is without question the most dreaded artifact of all. By firing it at your target, you can transform legions of proud warriors and powerful mages into herds of milling swine. In human society it is forbidden to even mention the Porkelator, much less use it.

## 9. The Bestiary



**Afrits:** These larger, nastier cousins of the gargoyles found in Heretic are more than happy to douse you in flames. The only nice thing about them is the satisfying splat they make when you shoot 'em from the sky.



**Stalkers:** Stalkers are aquatic reptiles with huge talons designed to rend their prey into bite-sized morsels. They can't leave the water, so once you're on dry land you might feel safe. But beware, some Stalkers can fire slime projectiles.



**Wendigo:** This fierce tundra beast fires shards of damaging ice, turning all who fall prey to its icy grip into frozen statues.



**Reivers:** Although they retain only half of their bodies, these Undead creatures have lost none of their powers. They fly through the air with hypnotic grace, but don't just sit there and watch or they'll pelt you with devastating fireballs.



**Death Wyvern:** Like the Reivers, these creatures are Undead, and their thirst for the blood of living creatures is surpassed only by their hatred of anything but themselves. The Death Wyvern is a formidable opponent, and should be dispatched immediately - if not sooner.



**Dark Bishop:** Many of the more powerful leaders within the Church have been warped into mindless servants of the Serpent Riders, and their magical powers have been multiplied tenfold. These vile creatures are known as Dark Bishops, and though they are frail of limb, they are extremely powerful. They fire circling projectiles of magical jade that track your position, and the Bishop phases in and out of existence as they travel from place to place. A dangerous opponent by itself, a nightmare when encountered in groups.



**Heresiarch:** As far beyond the Bishops as the Bishops are above common men, these blasphemous beings control forces capable of sending mere mortals screaming in terror. The Heresiarch knows several spells, including a strong reflective spell, two types of magical attack, and a summoning spell that gates in Dark Bishops to aid the Heresiarch. Only a superb warrior can defeat a Heresiarch without sustaining serious injury.



**Centaur:** Named after a mythical being, these monsters bear none of the pleasant traits attributed to them in legends: vicious, brutal and extremely hard to kill. Centaurs serve in the front ranks of many of the Serpent Riders' armies. They are capable of deflecting missiles with their shields, so use caution when attacking them.



**Ettin:** These horrid creatures are all that remains of the once proud Legionnaires. Less than human, they retain just enough of their memory to hate what they have become, and to hate you even more for what you still are. Fortunately for you, they are not particularly skillful foes.



**Chaos Serpent:** D'Sparil once had a Chaos Serpent for a mount. On this world the Serpents run loose, uncontrolled by any higher intelligence. One breed of Chaos Serpent will scorch you with fiery blasts, while a second variant of this creature belches poisonous green gas.



**Zedek:** Once the leader of the Legion, Zedek is now little more than a pawn in the hands of the Serpent Riders. Still, he retains all his old martial skills, and defeating him will be one of your greatest challenges.

**Traductus:** From lowly monk to Grand Patriarch in 30 short years, Traductus' destiny seemed to be eternal greatness. But somewhere along the way he lost direction, and now he blocks your path to fulfilling your own shadowed fate.

**Menelkir:** The greatest Mage to occupy the Crystal Dais in centuries, it seems unlikely that Menelkir can be destroyed by any conventional force. Fighting him will be one of the greatest challenges of your life.

**Korax:** You have seen inhuman shapes before this, but surely even hell would never spawn such a being as Korax; his very presence fills you with horror, and you cannot begin to imagine what powers are contained within his twisted frame.



# Technical Support (U.S. & Canada)

## Assistance Via World Wide Web

Get up-to-the-minute technical information at the GT Interactive Software web-site, at <http://www.gtinteractive.com>, twenty-four hours a day, seven days a week. In the Support section you'll have access to our FAQ documents, (Frequently Asked Questions) which contain our latest troubleshooting information. You can also visit our Forums area, where you can swap email with other gamers, our FTP (File Transfer Protocol) area where you can download patches and new enhancements as soon as they become available, our Hints/Cheat Codes area where you can pick up some tips, an E-Mail area where you can leave us your tech support problems and questions, and other areas where you can get valuable information on GT Interactive Software products.

## Help Via Telephone In The United States & Canada

For phone assistance, call GT Interactive Software's Tech Support at 970-522-1797. We have an Interactive Voice Response and Faxback system that is available twenty-four hours a day, seven days a week. If you should need live support, we are available Monday through Friday, 8:00 AM until Midnight (EST). Please note that live Tech Support may be closed on major holidays. We ask that you do the following when calling: be at your computer; have your system information ready for our technicians including system make and model; RAM; video and sound card data and drivers; and any screen or error messages you've encountered and where (if not currently displayed on your screen). It will expedite your handling significantly.

## Product Return Procedures In The United States & Canada

In the event our technicians at 716-871-6646 determine that you will need to forward materials directly to us, please include a brief letter explaining what is enclosed and why. Make sure you include the Return Authorization Number supplied you by the technician and your telephone number in case we need to call you. Any materials not containing this RMA# will be returned to you unprocessed. Your mail should be sent to the following address: GT Interactive Software Corp., Attn: TS/QA, 1 Nixon Lane, Edison, NJ 08817

If our technicians determine that the product storage medium is found to be defective within ninety (90) days of original purchase, (unless otherwise provided by applicable law), GTIS will replace the item free of charge, to the original purchaser, if the item is accompanied by the original dated receipt and packaging. If you do not have the original receipt, or if the warranty period has expired, GTIS will replace the product storage medium for a nominal fee.

If your product information contains Technical Support phone numbers for Europe, you must contact those phone numbers and abide by their warranty policies.

## Technical Support (Europe)

### Help Via Telephone In Europe

**Technical Assistance:** English speaking customers call 01923 209145

**Assistance Technique:** Remarque: Notre service de soutien technique se trouve en Angleterre.

Clients francophones appelez le 00 44 1923 209148

**Technischer Kundendienst:** Beachten Sie bitte dass sich unser technischer Kundendienst in England befindet.

Den deutschsprachigen Kundendienst erreichen Sie unter folgender Nummer: 00 44 1923 209151

Please do not make unauthorized copies. The program you've purchased was produced through the efforts of many people who earn their livelihood from its lawful use. Don't make copies for others who have not paid for the right to use it. To report copyright violations to the Software Publishers Association, call 1-800-388-PIR8 or write:

Software Publishers Association, 1101 Connecticut Ave., Suite 901, NW Washington, DC 20036

This program is protected by United States federal and international copyright laws.

All trademarks mentioned in this manual are the property of their respective owners.

## Credits

**Artists:** Shane Gurno, Brian Pelletier, Brian Raffel.

**Additional Artists:** Jim Sunwalt, Scott Rice, Matia Wagabaza, Steve Raffel, Rebecca Rettenmund, Brian Frank.

**Programming:** Ben Gokey, Chris Rhinehart, Paul MacArthur.

**Sound/Music:** Kevin Schilder.

**Level Design:** Michael Raymond-Judy, Eric C. Biessman.

**Executive Project Director:** Brian Raffel.

**Executive Producer:** John Romero.

**3-D Engine:** John Carmack.

(90) days of original purchase, (unless otherwise provided by applicable law), GTIS will replace the item free of charge, to the original purchaser, if the item is accompanied by the original dated receipt and packaging. If you do not have the original receipt, or if the warranty period has expired, GTIS will replace the product storage medium for a nominal fee.

If your product information contains Technical Support phone numbers for Europe, you must contact those phone numbers and abide by their warranty policies.

## Technical Support (Europe)

### Help Via Telephone In Europe

**Technical Assistance:** English speaking customers call 01923 209145

**Assistance Technique:** Remarque: Notre service de soutien technique se trouve en Angleterre.

Clients francophones appelez le 00 44 1923 209148

**Technischer Kundendienst:** Beachten Sie bitte dass sich unser technischer Kundendienst in England befindet.

Den deutschsprachigen Kundendienst erreichen Sie unter folgender Nummer: 00 44 1923 209151

Please do not make unauthorized copies. The program you've purchased was produced through the efforts of many people who earn their livelihood from its lawful use. Don't make copies for others who have not paid for the right to use it. To report copyright violations to the Software Publishers Association, call 1-800-388-PIR8 or write:

Software Publishers Association, 1101 Connecticut Ave., Suite 901, NW Washington, DC 20036

This program is protected by United States federal and international copyright laws.

All trademarks mentioned in this manual are the property of their respective owners.

## Credits

**Artists:** Shane Gurno, Brian Pelletier, Brian Raffel.

**Additional Artists:** Jim Sunwalt, Scott Rice, Matia Wagabaza, Steve Raffel, Rebecca Rettenmund, Brian Frank.

**Programming:** Ben Gokey, Chris Rhinehart, Paul MacArthur.

**Sound/Music:** Kevin Schilder.

**Level Design:** Michael Raymond-Judy, Eric C. Biessman.

**Executive Project Director:** Brian Raffel.

**Executive Producer:** John Romero.

**3-D Engine:** John Carmack.

# NOTES

# NOTES

# NOTES

## END-USER LICENSE AGREEMENT

PLEASE READ CAREFULLY. BY USING THIS SOFTWARE, YOU ARE AGREEING TO BE BOUND BY THE TERMS OF THIS LICENSE. IF YOU DO NOT AGREE TO THESE TERMS, PROMPTLY RETURN THE CD-ROM IN ITS PACKAGING TO THE PLACE WHERE YOU OBTAINED IT.

1. License. The software accompanying this license (the "Software") and the related documentation are licensed to you by us and are subject to this license. If the Software is configured for loading onto a harddrive, you may so load the Software only onto the hard drive of a single computer and run the Software off only that hard drive. You may not delete the copyright notices or any other proprietary legends on the original copy of the Software. You may transfer all rights we grant to you in this license to someone else as long as he or she reads and agrees to accept this license. If there is an editor incorporated into the Software, this license is also subject to Section 8 below.
2. Restrictions. The Software contains copyrighted material, trade secrets and other proprietary material. You may not decompile, modify reverse engineer, disassemble or otherwise reproduce the Software except as expressly allowed by us. You may not rent, lease, sublicense or distribute the Software. You may not electronically transmit the Software from one computer to another or over a network.
3. Termination. This License is effective until terminated. You may terminate this License at any time by destroying the Software and related documentation. This License will terminate immediately without notice from us if you fail to comply with any provision of this license. Upon termination, you must destroy the Software and related documentation.
4. Disclaimer of Warranty on Software. You are aware and agree that use of the Software and the media on which it is recorded is at your sole risk. The Software, related documentation and the media are provided "AS IS." Unless otherwise provided by applicable law, GTIS warrants to the original purchaser of this product that the Software storage medium will be free from defects in material and workmanship under normal use for ninety (90) days from the date of purchase. This warranty is void if the defect has arisen through accident, abuse, neglect or misapplication. We EXPRESSLY DISCLAIM ALL OTHER WARRANTIES, EXPRESS OR IMPLIED, INCLUDING BUT NOT LIMITED TO, THE IMPLIED WARRANTIES OF MERCHANTABILITY AND FITNESS FOR A PARTICULAR PURPOSE. WE DO NOT WARRANT THAT THE FUNCTIONS CONTAINED IN THE SOFTWARE WILL MEET YOUR REQUIREMENTS, NO ORAL OR WRITTEN INFORMATION OR ADVICE GIVEN BY US OR ANY OF OUR AUTHORIZED REPRESENTATIVES SHALL CREATE A WARRANTY OR IN ANY WAY INCREASE THE SCOPE OF THIS WARRANTY. SOME JURISDICTIONS DO NOT ALLOW THE EXCLUSION OF IMPLIED WARRANTIES, SO THE ABOVE EXCLUSIONS MAY NOT APPLY TO YOU.
5. Limitation of Liability. UNDER NO CIRCUMSTANCES, INCLUDING NEGLIGENCE, SHALL WE BE LIABLE FOR ANY INCIDENTAL, SPECIAL OR CONSEQUENTIAL DAMAGES THAT RESULT FROM THE USE OR INABILITY TO USE THE SOFTWARE OR RELATED DOCUMENTATION, EVEN IF WE HAVE BEEN ADVISED OF THE POSSIBILITY OF THOSE DAMAGES. SOME JURISDICTIONS DO NOT ALLOW THE LIMITATION OR EXCLUSION OF LIABILITY FOR INCIDENTAL OR CONSEQUENTIAL DAMAGES SO THE ABOVE LIMITATION OR EXCLUSION MAY NOT APPLY TO YOU. In no event shall our total liability to you for all damages, losses, and causes of action (whether in contract, tort or otherwise) exceed the amount paid by you for the Software.
6. Controlling Law and Severability. This license shall be governed by and construed in accordance with the laws of the State of New York, USA. If any provision of this license is unenforceable, the rest of it shall remain in effect.
7. Complete Agreement. This license constitutes the entire agreement between the parties with respect to the use of the Software and the related documentation.
8. Editor and End-user Variations.
  - (a) The Software may include an "Editor." An "Editor" is a feature which allows you to modify the Software or to construct new variations for use with it. These modifications and variations can be both playable and non-playable. An Editor includes its associated tools and utilities. An Editor is NOT shareware. You may not freely distribute it to any BBS, CD, floppy or any other media. You may not sell it or repackage it for sale.
  - (b) Using the Editor, you may create modifications or enhancements to the Software, including the construction of new levels (collectively referred to as "Variations"), subject to the following restrictions:
    - i. Your Variations must only work with the full, registered copy of the Software, not independently or with any other software.
    - ii. Your Variations must not contain modifications to any executable file.
    - iii. Your Variations must not contain any libelous, defamatory, or other illegal material, material that is scandalous or invades the rights of privacy or publicity of any third party, or contains any trademarks, copyright-protected work, or other recognizable property of third parties.
    - iv. At least once in every online description and with reasonable duration on the opening screen, your Variations must prominently identify (i) the names and email addresses of its creators, and (ii) the words "THIS LEVEL IS NOT MADE BY OR SUPPORTED BY GT Interactive Software, The WizardWorks Group, or any of their affiliates and subsidiaries.
    - v. Your Variations must be distributed solely for free. Neither you nor any other person or party may sell them to anyone, commercially exploit them in any way, or charge anyone for using them. You may exchange them at no charge among other end-users.
    - vi. By distributing or permitting the distribution of any of your Variations, you hereby grant back to us an irrevocable royalty-free right to use and distribute them by any means.
    - vii. The prohibitions and restrictions in this section apply to anyone in possession of the Software or any of your Variations.



*HEXEN*™ ©1995, 1996 Raven Software Corporation. All Rights Reserved. Published by Id Software, Inc. Distributed by GT Interactive Software Corp. The PlayStation Logo™ is a trademark of Sony Computer Entertainment, Inc. All other trademarks are the property of their respective companies. Licensed by Sony Computer Entertainment America for use with the PlayStation game console. PlayStation and the PlayStation Logos are trademarks of Sony Computer Entertainment Inc. The ratings icon is a trademark of the Interactive Digital Software Association. Manufactured and printed in the U.S.A. THIS SOFTWARE IS COMPATIBLE WITH PLAYSTATION GAME CONSOLES WITH THE NTSC U/C DESIGNATION. U.S. AND FOREIGN PATENTS PENDING.